

MODEL PT-67

SPECIFICATIONS

Model PT-67 is a five tube electric push-button tuning, superheterodyne radio with a manual tuning range covering 540 to 1580 K. C. on the broadcast band and 2.3 to 2.5 M. C. on the local police range. In addition, a loop aerial is built into the cabinet for portable use. Aerial connections are also provided on the rear of the cabinet for an external aerial. If an outside aerial is necessary, the Philco Utility Aerial, Part No. 40-6384, is recommended.

Six electric push-buttons are provided on this model. Five push-buttons are used for selecting stations and one push-

button for selecting dial tuning. The push-buttons cover a frequency range as follows: 540 to 1600 kilocycles.

INTERMEDIATE FREQUENCY: 455 K. C.

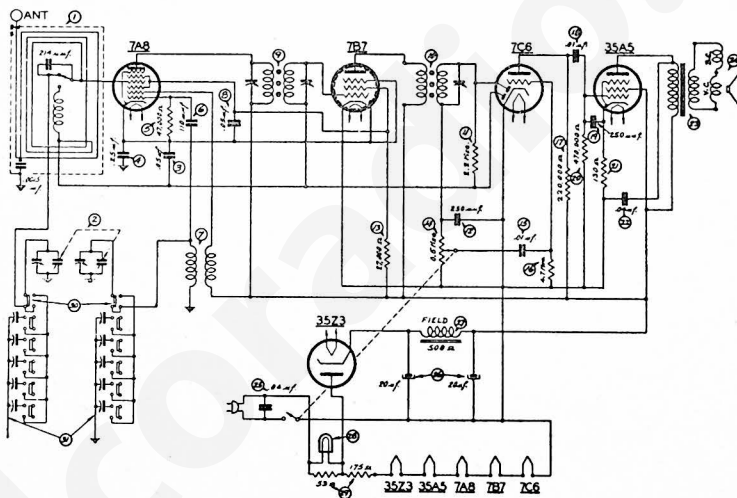
PHILCO TUBES USED: One 7A8, converter; one 7B7, I. F. amplifier; one 7C6, 2nd detector, 1st audio, A. V. C.; one 35A5, audio output and one 35Z3, rectifier.

POWER SUPPLY: Operates on either a 115 volt alternating current (A. C.) or 115 volt direct current (D. C.) power supply.

ALIGNING PROCEDURE: The aligning procedure for adjusting the R. F. and I. F. compensators will be found on page 6.

PRODUCTION CHANGE

To stabilize the oscillator circuit and prevent oscillation at the high frequency end of the tuning dial, the oscillator grid leak was changed from 47000 ohms to 22000 ohms.



REPLACEMENT PARTS

SCHE. No.	DESCRIPTION	PART No.	SCHE. No.	DESCRIPTION	PART No.	SCHE. No.	DESCRIPTION	PART No.
1	Loop Antenna Assembly	38-9937	22	Tubular Condenser (.04 mf., 400 v.)	30-4119S		Cone Assembly	
2	Tuning Condenser	31-2437	23	Output Transformer			(for Speaker 36-1469-1)	36-4115
3	Tubular Condenser (.05 mf., 200 v.)	30-4519S		(for Speaker 36-1469-1)	32-8047		(for Speaker 36-1469-2)	36-4132
4	Tubular Condenser (.25 mf., 400 v.)	30-4604S		(for Speaker 36-1469-2)	32-8044		(for Speaker 36-1469-9)	36-4113
5	Resistor (47,000 ohms, 1/4 watt)	33-347154		(for Speaker 36-1469-9)	32-8044		Drive Drum (Tuning Condenser)	56-6033
6	Mica Condenser (110 mmf.)	30-1130	24	Speaker	36-1469		Drive Cord Assembly	31-2358
7	Oscillator Transformer	32-3152	25	Tubular Condenser (.04 mf., 400 v.)	30-4119S		Drive Shaft Assembly	31-2370
8	Tubular Condenser (.05 mf., 200 v.)	30-4519S	26	Electrolytic Condenser			Clips (Coil Mounting)	28-5002
9	1st I. F. Transformer	32-3177	27	(20-20 mf., 150 v.)	30-2382		Grille Silk and Baffle	40-6452
10	2nd I. F. Transformer	32-3178	28	Field Coil	Part of Speaker No. 36-1469		Handle	45-6053
11	Resistor (2.2 megs., 1/4 watt)	33-522154	29	Pilot Lamp	34-2068		Knob (Tuning and Volume)	27-4815
12	Mica Condenser (250 mmf.)	30-1479S	30	Line Resistor	33-3387		Pointer (Dial)	27-4891
13	Resistor (27,000 ohms, 1/4 watt)	33-327334	31	Push Button Switch	42-1485		Pointer Drive Arm	56-1376
14	Volume Control (500,000 ohms)	33-5308		Padding Condenser Strip	31-6324		Screws (Back Mounting)	56-6056
15	Tubular Condenser (.01 mf., 200 v.)	30-4479S					Screws (Handle)	W-2043
16	Resistor (4.7 megs., 1/4 watt)	33-547154					Screws (Chassis Mounting)	W-2176
17	Resistor (220,000 ohms, 1/4 watt)	33-422154					Screws (Back Mounting)	W-2029
18	Tubular Condenser (.01 mf., 400 v.)	30-4572S					Spring (Drive Cord)	28-8751
19	Mica Condenser (250 mmf.)	30-1479S					Socket (Pilot Lamp)	38-9825
20	Resistor (470,000 ohms, 1/4 watt)	33-447154					Socket (Tubes)	27-6130
21	Resistor (130 ohms, 1/2 watt)	33-11338S					Tab (Dial)	27-5528
							Tab Kit	40-6474

MISCELLANEOUS PARTS

Cable (Power)	L-3199
Cabinet	10-474A
Cabinet Back	27-4833